

NIFE CYNF Series

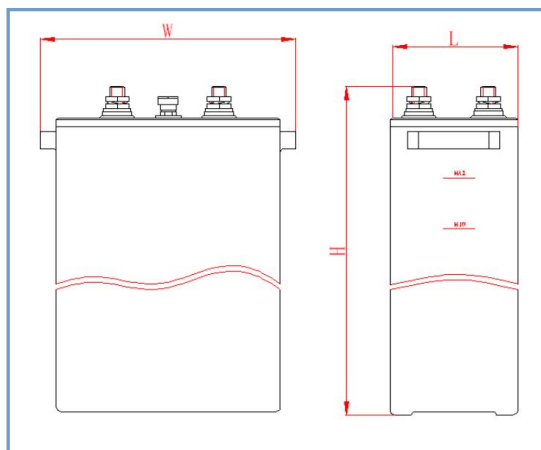
CIYI NIFE CYNF series low rate NIFE batteries are made of pocket plate with the characteristics of thin plate, high porosity and low internal resistance. nowadays, more and more countries and governments have paid special attentions on environmental protection and actively promoted the application of Green Energy.

Applications

- PV Systems
- Telecommunication
- Lighting
- Wind Power Generation
- UPS Back up Power Systems
- Railway Rolling Stocks

Advantages

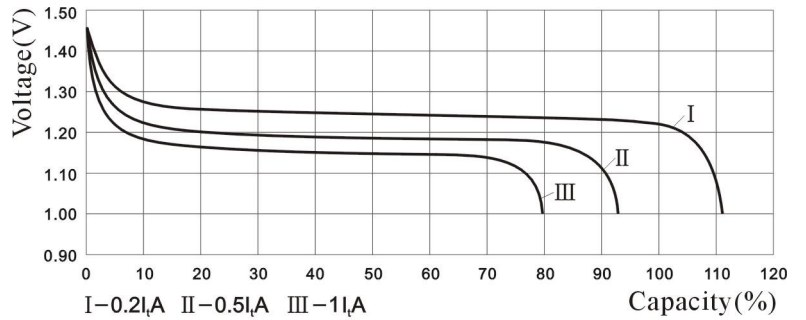
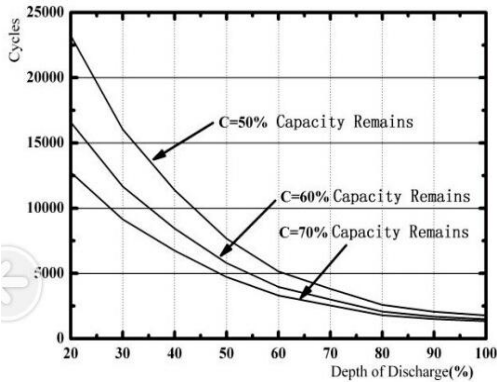
- Military Quality with Designed life up to 30-40years.
- Varta Technology and Equipment.
- Wide Working Temperature from -20°C to +60°C.
- Pocket Technology on the positive plate make the battery high strength, high expansion resistance.
- Slurry Technology on the negative plate make the battery light weight and better low temperature performance.
- 10CA high peak discharge current.



Technical Data

Battery Model	CYNF1000			
Voltage	1.2V			
Capacity	1000AH			
Designed Life	30-40 Years (Floating)			
Housing Material	PP/ABS			
Capacity(25°C)	5HR (200A 1.0V)		1000A	
Dimensions	Length	Width	Height	
	398mm	184mm	560mm	
Structure	Terminal Size	Terminal Quantity	Connection Torque	
	M20	⊕3/⊖3	50±3N.m	
Approximate Weight	Dry Weight		47.0Kg	
	Wet Weight		66.0Kg	
Type of Electrolyte	E3(1.2g/cm ³ KOH + 20g/L LiOH·H ₂ O)			
Volume of Electrolyte	16.0L			
Internal Resistance	Full charged at 25°C: 0.25mΩ to 0.30mΩ			
Capacity Affected by Temp.(5HR)	40°C	20°C	0°C	20°C
	95%	100%	85%	50%
Dual-voltage charging voltage and current setting (25°C):	Equalizing		Floating	
	1.60V~1.75V /Cell with Initial charging current less than 200A		1.48V~1.50V/Cell with Initial charging current less than 200A	
Max Discharging Current	10000A			
Operating Temperature	charging	-20°C to 60°C	discharge	-40°C to 60°C

Service Life Drawing & Discharging Curves



Discharge Performance

Performance after prolonged float charge of fully charged cells available current at 20±5°C

End off voltage V/cell	Hours							Minutes					Seconds			
	10	8	5	3	2	1.5	1	30	20	15	10	5	1	30	5	1
1.00	105	129	200	326	441	522	653	805	902	956	1056	1200	1525	1659	1880	1936
1.05	103	125	198	288	378	462	538	666	732	806	874	998	1265	1362	1524	1591
1.10	98.9	117	171	254	336	390	448	535	602	639	687	805	1029	1092	1201	1216
1.14	96.0	112	150	222	275	315	355	427	465	490	544	621	811	876	949	975

Performance after charging the battery for 8 hrs with 0.2ItA at 20±5°C

End off voltage V/cell	Hours							Minutes					Seconds			
	10	8	5	3	2	1.5	1	30	20	15	10	5	1	30	5	1
1.00	105	129	200	326	464	580	750	970	1100	1180	1320	1500	1930	2100	2380	2450
1.05	103	125	198	316	440	550	664	854	950	1060	1150	1330	1710	1840	2060	2150
1.10	102	123	190	306	420	500	590	733	825	888	968	1150	1470	1560	1715	1737
1.14	101	120	188	292	372	432	500	628	684	732	824	956	1248	1348	1460	1500